



TRINITY GLASS
INTERNATIONAL

33615 1st Way S, Federal Way, WA 98003

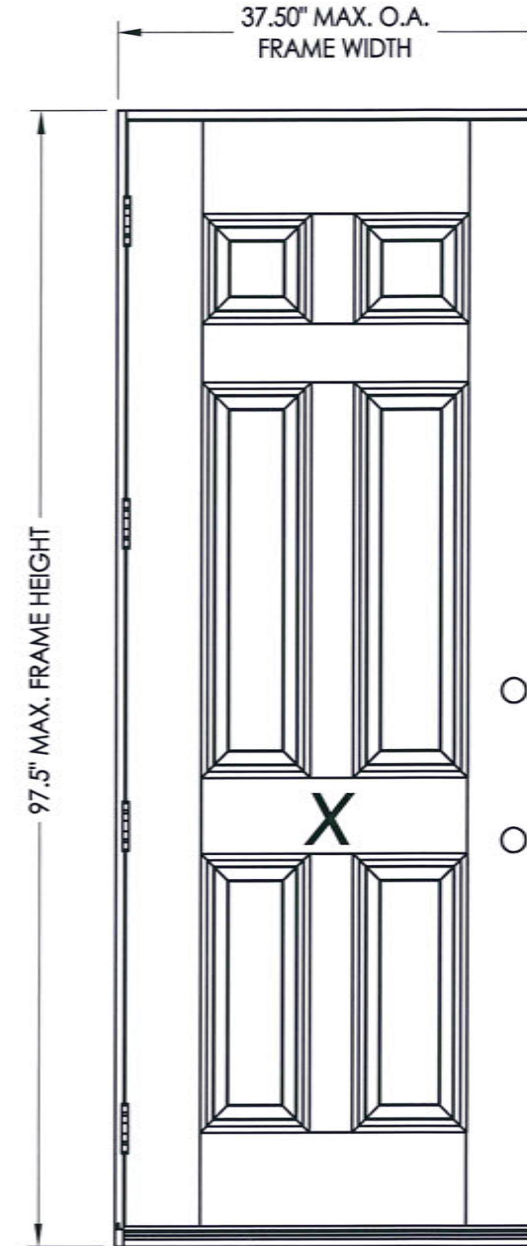
OPAQUE FIBERGLASS "IMPACT" DOOR IN SWING / OUT SWING

GENERAL NOTES

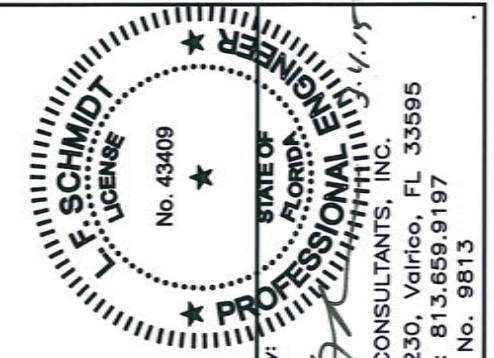
1. This product has been evaluated and is in compliance with the 5th Edition (2014) Florida Building Code (FBC) structural requirements excluding the "High Velocity Hurricane Zone" (HVHZ).
2. Product anchors shall be as listed and spaced as shown on details. Anchor embedment to base material shall be beyond wall dressing or stucco.
3. When used in areas requiring wind borne debris protection this product complies with Section 1609.1.2 of the FBC and does not require an impact resistant covering. This product meets missile level "D" and includes Wind Zone 4 as defined in ASTM E 1996 and Section 1609.1.2.2 of the FBC..
4. For 2x stud framing construction, anchoring of these units shall be the same as that shown for 2x buck masonry construction.
5. Site conditions that deviate from the details of this drawing require further engineering analysis by a licensed engineer or registered architect.

TABLE OF CONTENTS

SHEET#	DESCRIPTION
1	Typical elevations, design pressures & general notes
2	Door panel details
3	Horizontal cross section
4	Vertical cross sections
5	Buck and frame anchoring - 2X buck masonry construction
6	Frame anchoring - 1X buck masonry construction
7	Components
8	Bill of materials



SWING	MAX. FRAME DIMENSION	DESIGN PRESSURE (PSF)	
		POSITIVE	NEGATIVE
IN SWING	37.50" x 97.5"	+70.0	-70.0
OUT SWING	37.50" x 96.25"	+70.0	-70.0



Documents Prepared By:
Lyndon F. Schmidt
P.E. No. 43409

R.W.
BUILDING CONSULTANTS, INC.
P.O. Box 230, Valrico, FL 33595
Phone No.: 813.659.9197
FBPE C.A. No. 9813

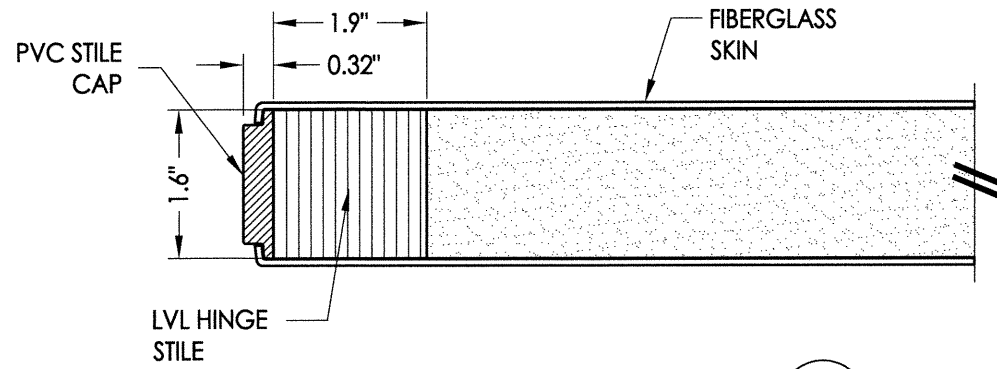
PRODUCT: TRINITY GLASS INT'L

PART OR ASSEMBLY:
TYPICAL ELEVATION, DESIGN PRESSURES & GENERAL NOTES

NO.	DATE	BY	REVISIONS
1	03/02/15	JK	UPDATE TO 5TH ED. (2014) FBC

DATE: 1/18/12
SCALE: N.T.S.
DWG. BY: JK
CHK. BY: LFS
DRAWING NO.: FL-15129.13
SHEET 1 OF 8

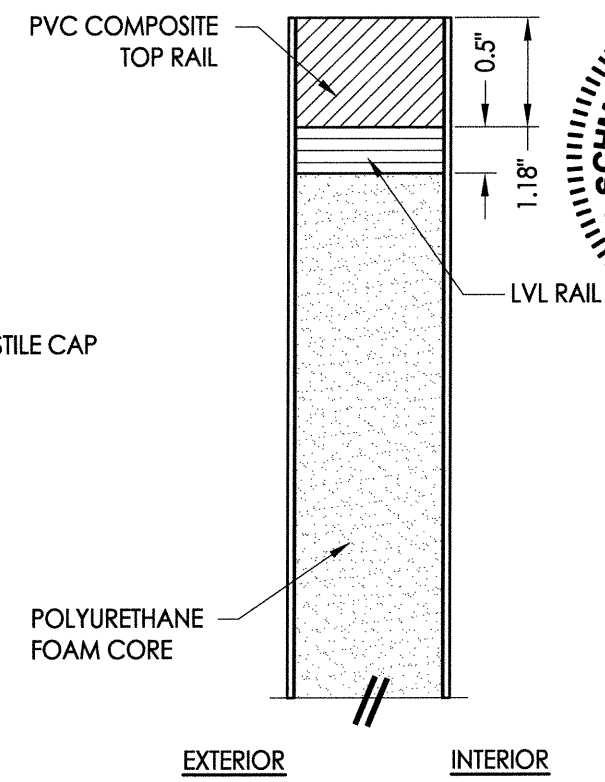
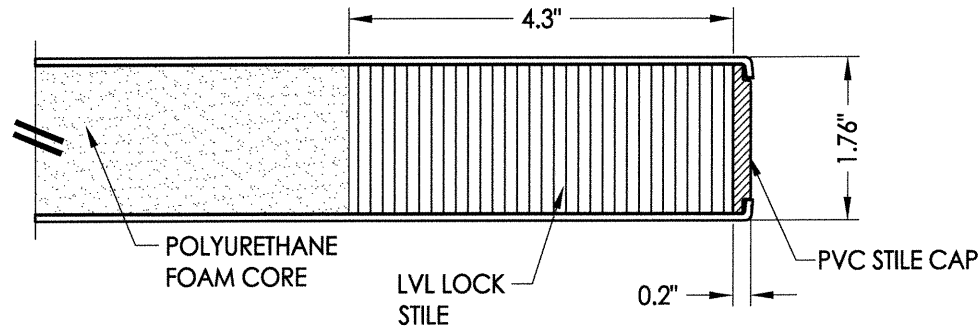
R:\Clients\Trinity PERMANENT\Florida Product Approvals\FL-15129\Drawings\Current\FL-15129.13-20.dwg, 2.13



EXTERIOR

INTERIOR

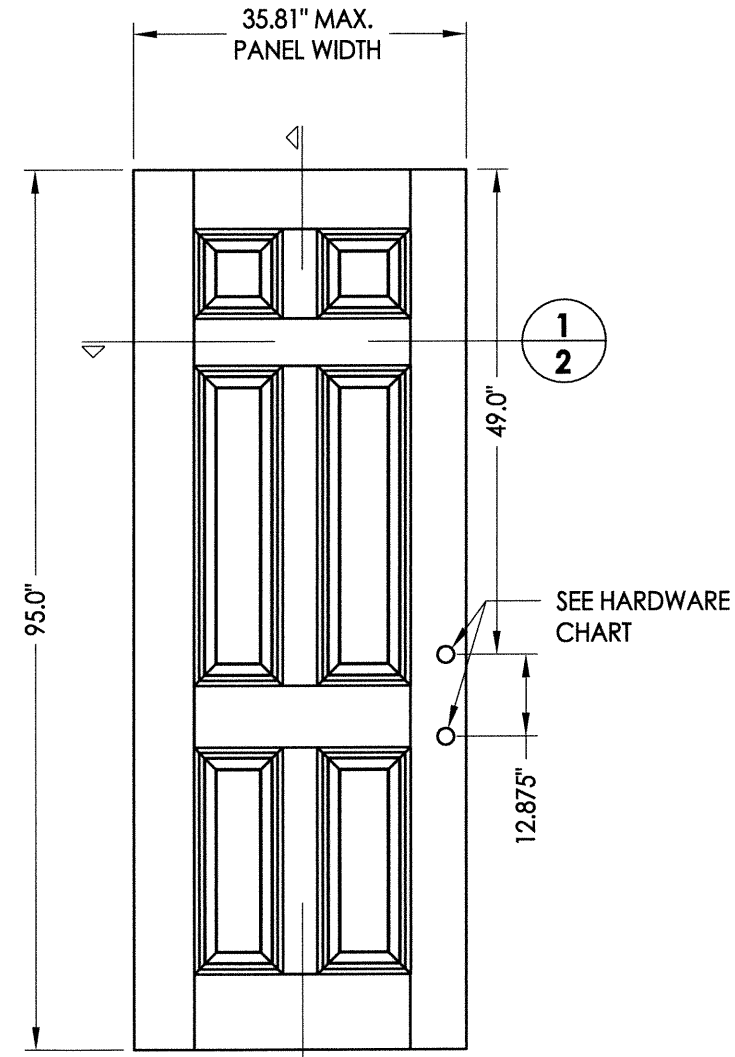
1
2 **HORIZONTAL CROSS SECTION**



EXTERIOR

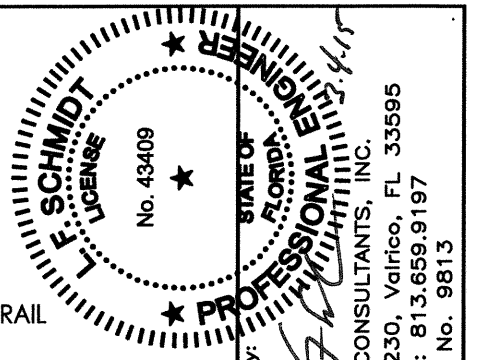
INTERIOR

2
2 **VERTICAL CROSS SECTION**



40 **PREMIUM OPAQUE DOOR**
"IMPACT"

HARDWARE CHART	
MANUFACTURER	MODEL
KWIKSET	KNOB: SIGNATURE SERIES DEADBOLT: SIGNATURE SERIES (980)

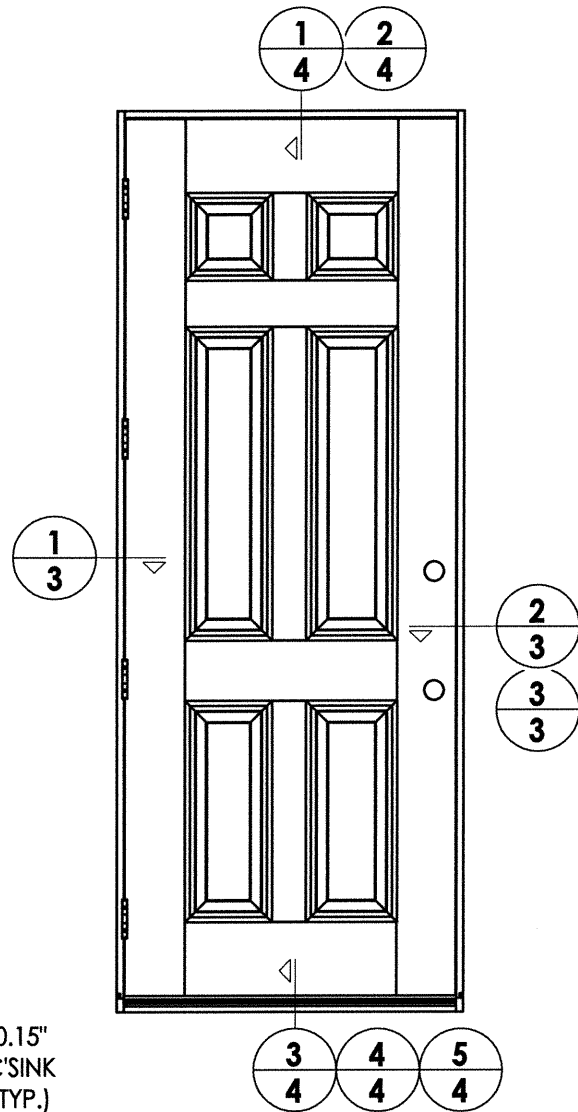
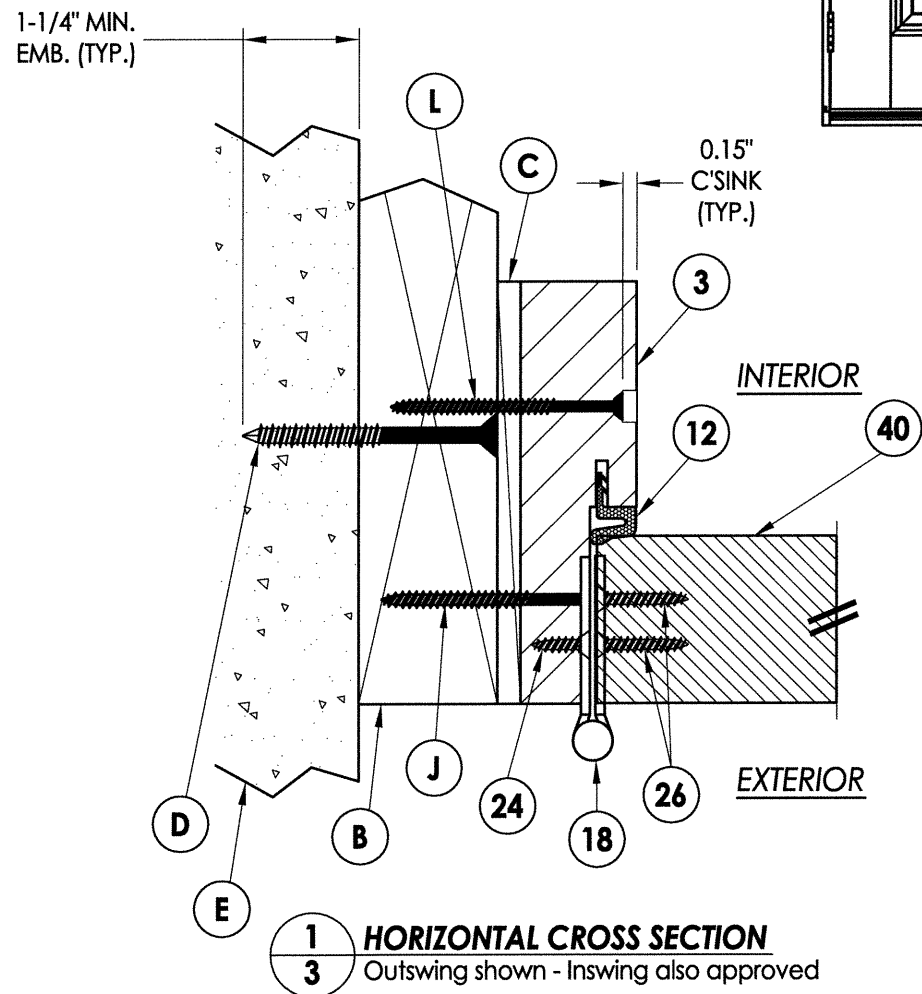


Documents Prepared By:
Lyndon F. Schmidt
P.E. No. 43409
R.W.
BUILDING CONSULTANTS, INC.
P.O. Box 230, Valrico, FL 33595
Phone No.: 813.659.9197
FBPE C.A. No. 9813

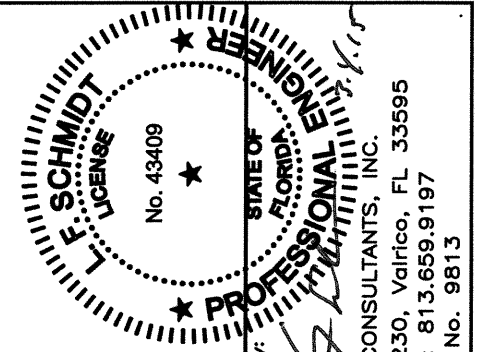
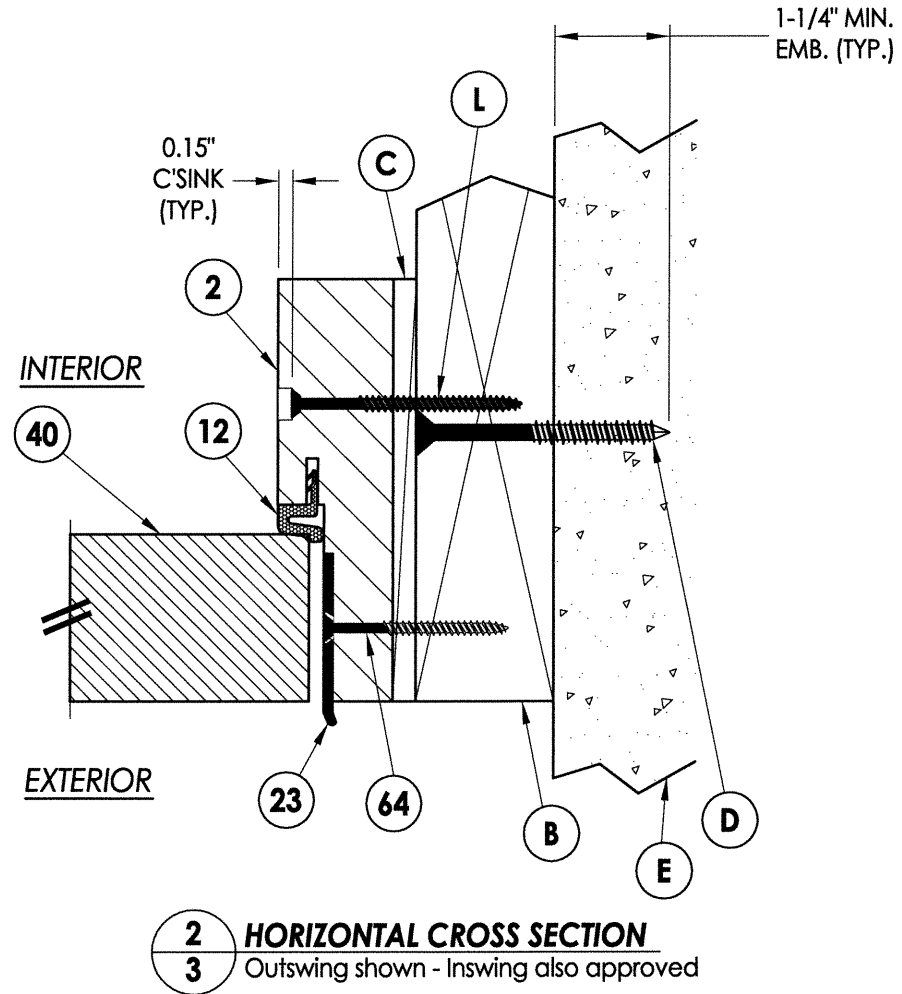
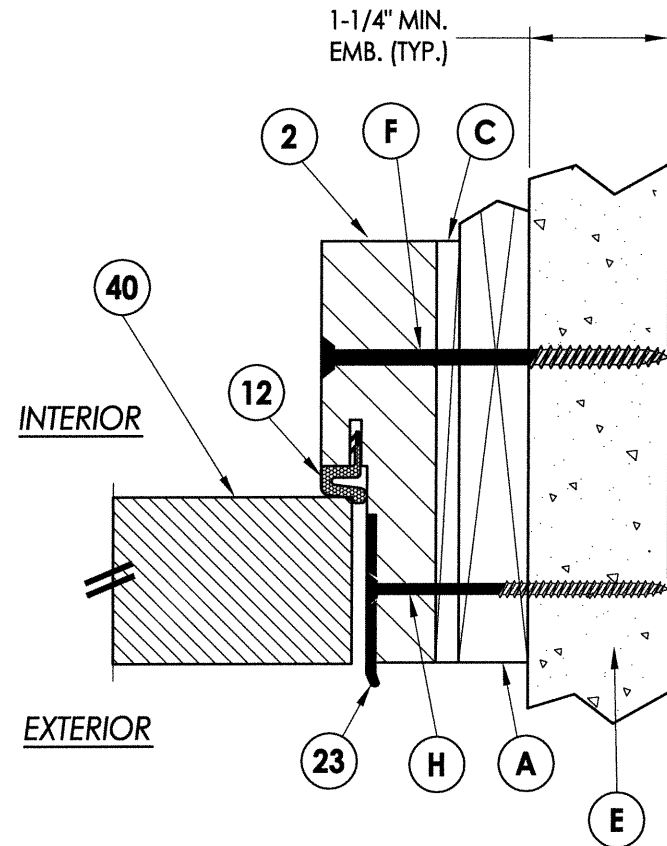
PRODUCT: TRINITY GLASS INT'L
PART OR ASSEMBLY: DOOR PANEL DETAILS

NO.	DATE	REVISIONS
1	03/02/15	UPDATE TO 5TH ED. (2014) FBC
JK		
BY		

DATE: 1/18/12
SCALE: N.T.S.
DWG. BY: JK
CHK. BY: LFS
DRAWING NO.: FL-15129.13
SHEET 2 OF 8



3 **HORIZONTAL CROSS SECTION**
3 Shown w/1X sub-buck



Documents Prepared By:
 Lyndon F. Schmidt
 P.E. No. 43409

RW

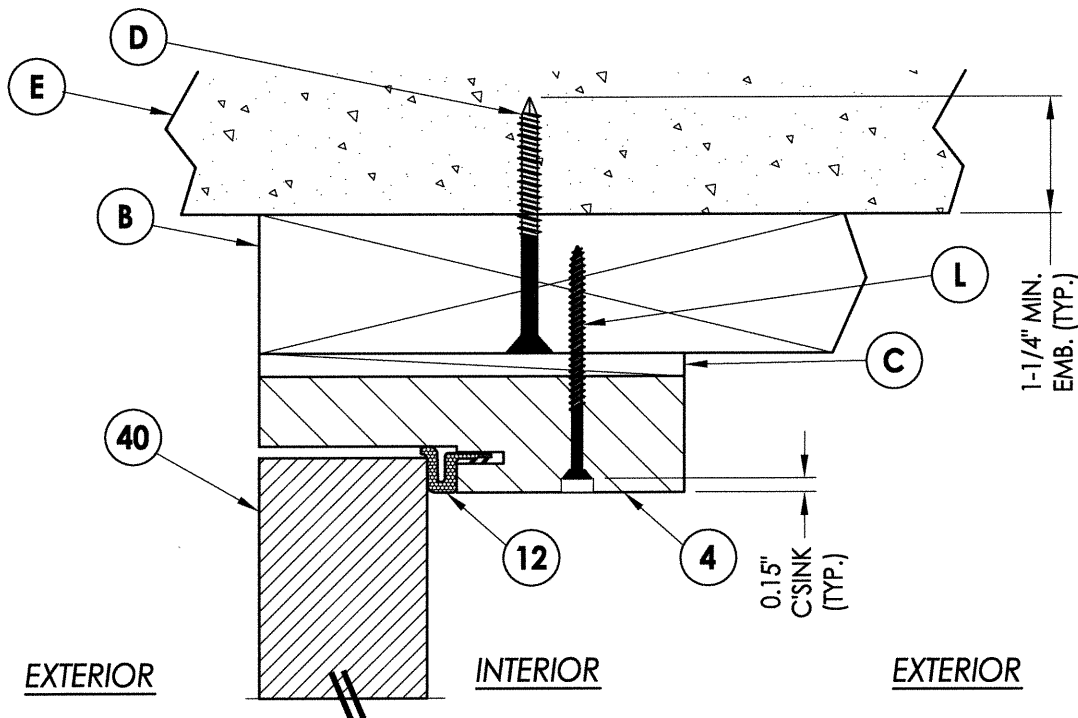
BUILDING CONSULTANTS, INC.
 P.O. Box 230, Vairico, FL 33595
 Phone No.: 813.659.9197
 FBPE C.A. No. 9813

PRODUCT:	TRINITY GLASS INT'L
PART OR ASSEMBLY:	HORIZONTAL CROSS SECTIONS

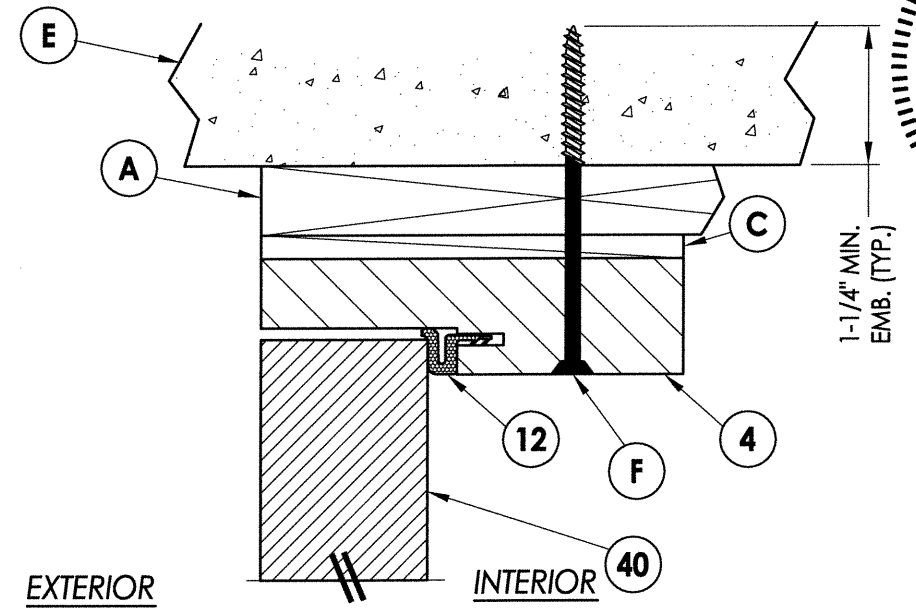
NO.	DATE	REVISIONS
1	03/02/15	UPDATE TO 5TH ED. (2014) FBC
		JK BY

DATE:	1/18/12
SCALE:	N.T.S.
DWG. BY:	JK
CHK. BY:	LFS
DRAWING NO.:	FL-15129.13
SHEET	3 OF 8

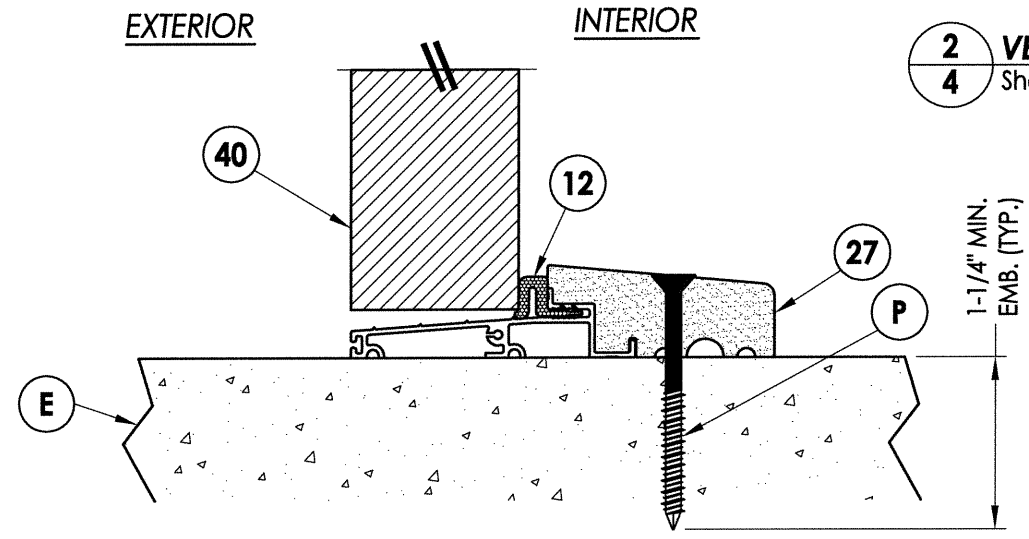
R:\Clients\Trinity PERMANENT\Florida Product Approvals\FL-15129\Drawings\Current\FL-15129.13-20.dwg, 4.13



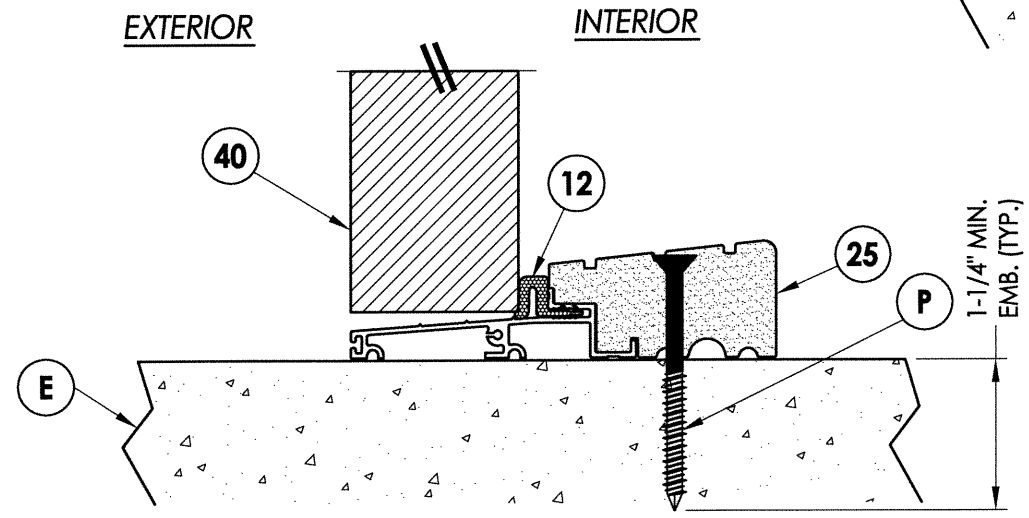
1 VERTICAL CROSS SECTION
4 Outswing shown
 Inswing also approved



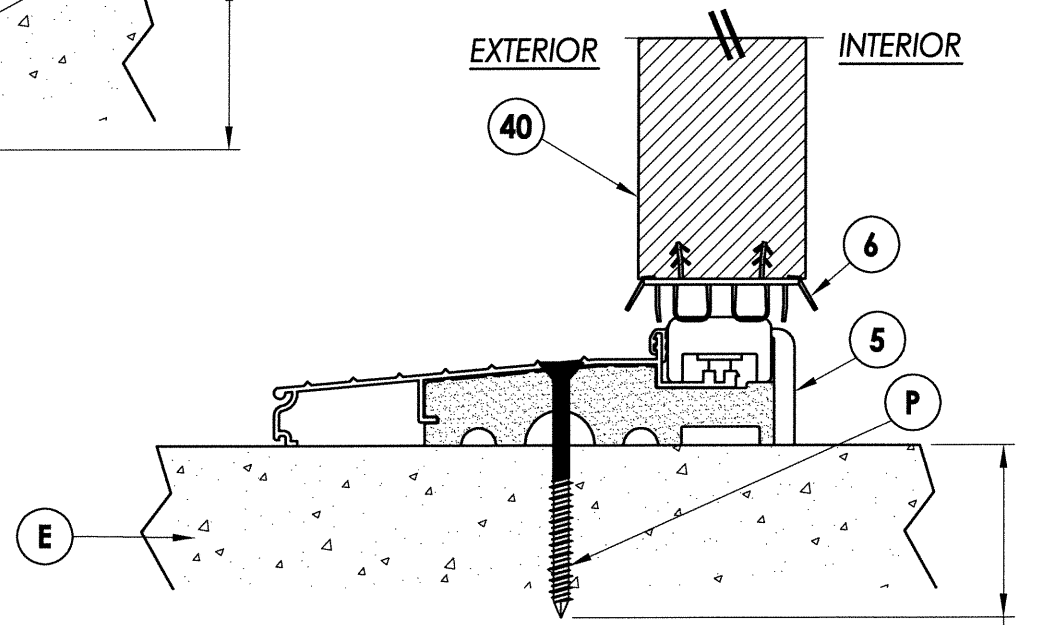
2 VERTICAL CROSS SECTION
4 Shown w/1X sub-buck



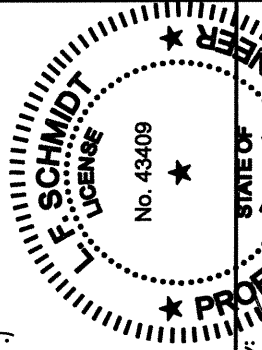
4 VERTICAL CROSS SECTION
4 Outswing sill



3 VERTICAL CROSS SECTION
4 Outswing sill - high dam



5 VERTICAL CROSS SECTION
4 Inswing sill

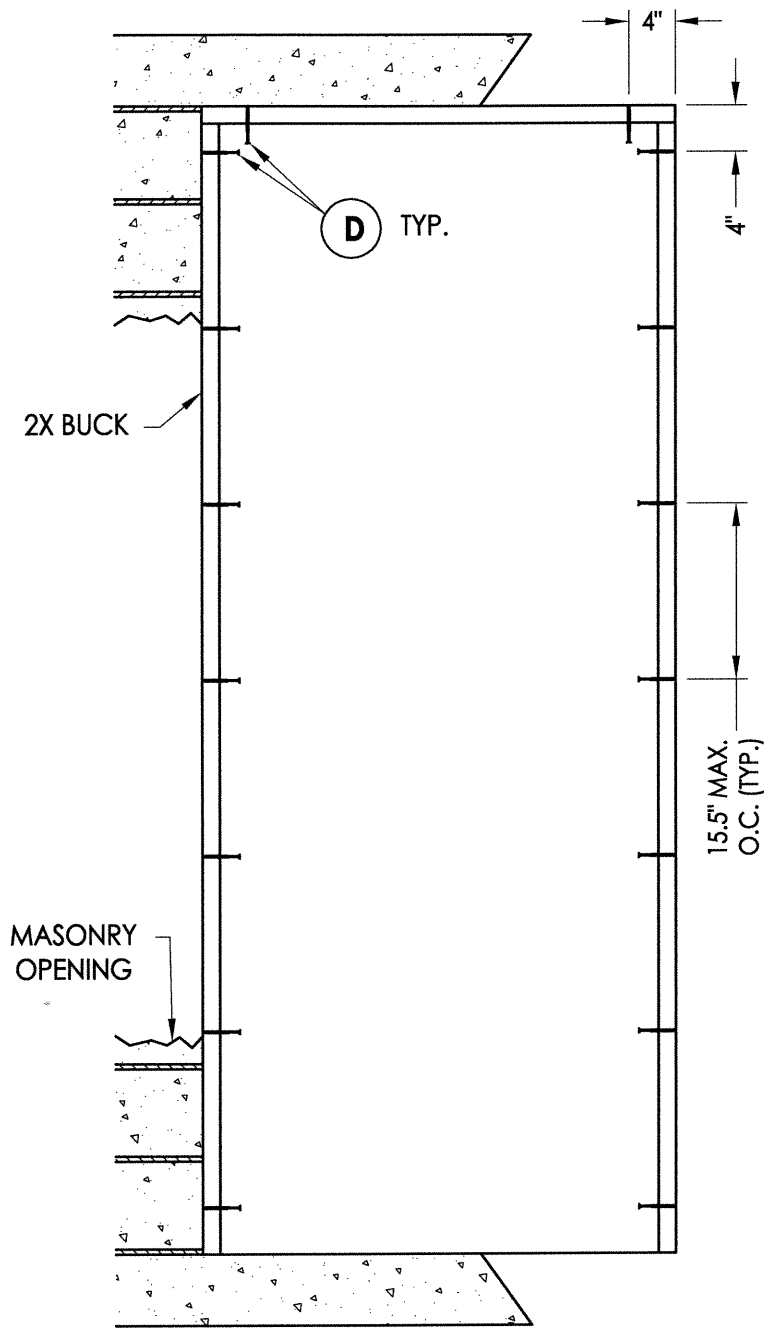


Documents Prepared By:
 Lyndon F. Schmidt
 P.E. No. 43409
 STATE OF FLORIDA
 PROFESSIONAL ENGINEER
 No. 43409
 BUILDING CONSULTANTS, INC.
 P.O. Box 230, Vairico, FL 33595
 Phone No.: 813.659.9197
 FBPE C.A. No. 9813

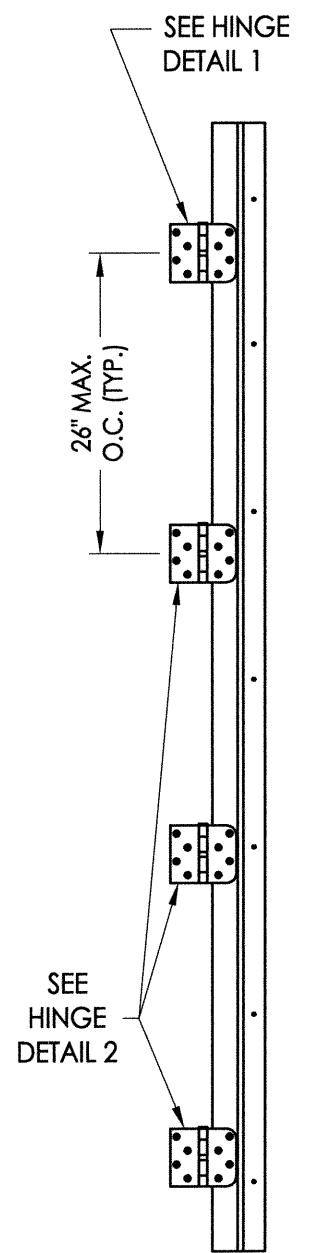
PRODUCT: TRINITY GLASS INT'L
 PART OR ASSEMBLY: VERTICAL CROSS SECTIONS

NO.	DATE	BY
1	03/02/15	JK

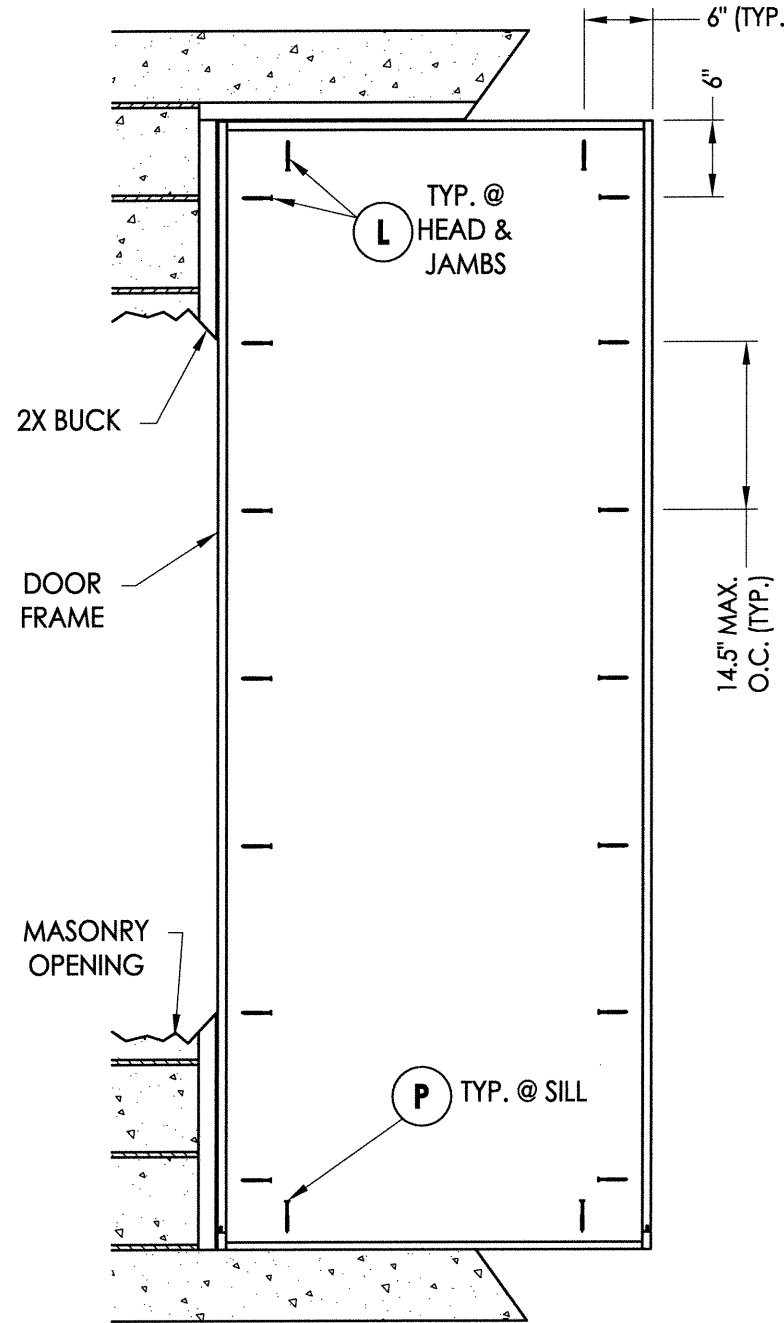
DATE: 1/18/12
 SCALE: N.T.S.
 DWG. BY: JK
 CHK. BY: LFS
 DRAWING NO.: FL-15129.13
 SHEET 4 OF 8



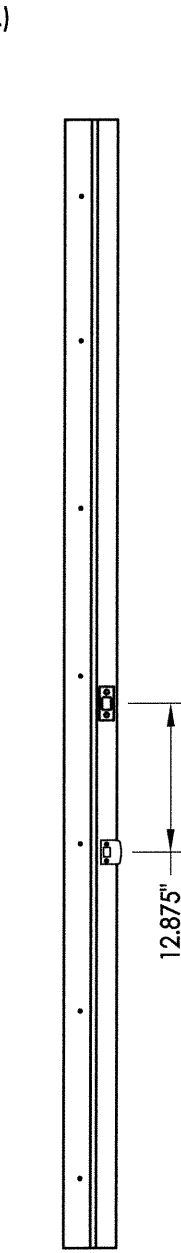
BUCK ANCHORING



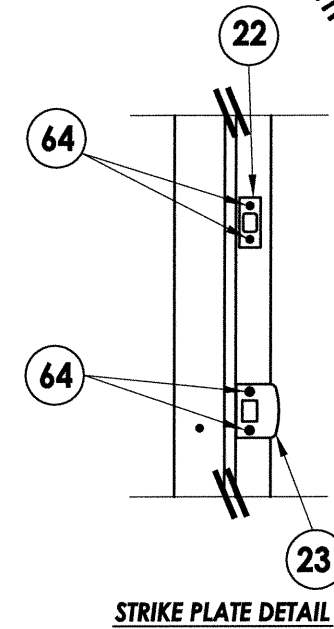
HINGE JAMB



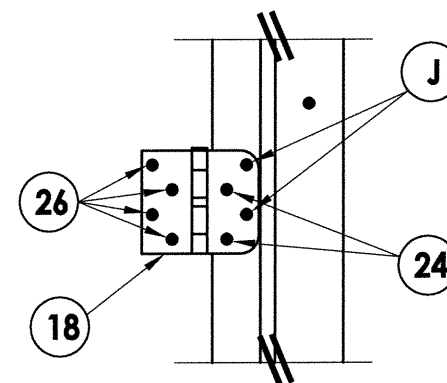
FRAME ANCHORING
Masonry 2X buck construction



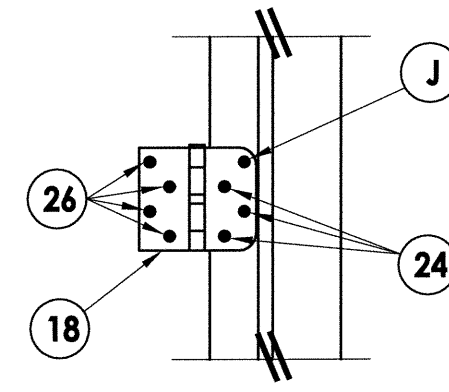
STRIKE JAMB



STRIKE PLATE DETAIL



HINGE DETAIL 1



HINGE DETAIL 2

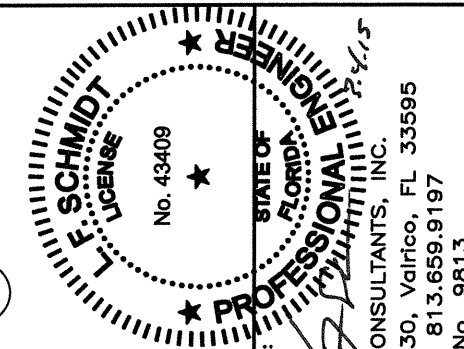
CONCRETE ANCHOR NOTES:

1. Concrete anchor locations at the corners may be adjusted to maintain the min. edge distance to mortar joints.
2. Concrete anchor locations noted as "MAX. ON CENTER" must be adjusted to maintain the min. edge distance to mortar joints, additional concrete anchors may be required to ensure the "MAX. ON CENTER" dimension are not exceeded.
3. Concrete anchor table:

ANCHOR TYPE	ANCHOR SIZE	MIN. EMBEDMENT	MIN. CLEARANCE TO MASONRY EDGE	MIN. CLEARANCE TO ADJACENT ANCHOR
ITW BUILDEX TAPCON®	1/4"	1-1/4"	2"	4"
ELCO ULTRACON®	1/4"	1-1/4"	1"	4"

WOOD SCREW INSTALLATION NOTES:

1. Maintain a minimum 5/8" edge distance, 1" end distance, & 1" o.c. spacing of wood screws to prevent the splitting of wood.



Documents Prepared By:
Lyndon F. Schmidt
P.E. No. 43409

RW
BUILDING CONSULTANTS, INC.
P.O. Box 230, Vairico, FL 33595
Phone No.: 813.659.9197
FBPE C.A. No. 9813

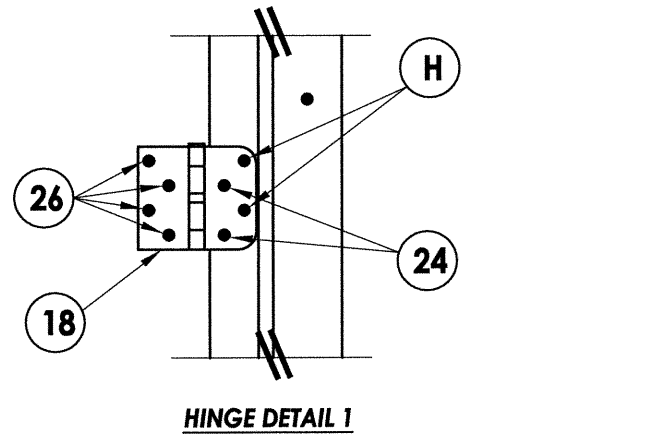
PRODUCT: TRINITY GLASS INT'L

PART OR ASSEMBLY:
BUCK AND FRAME ANCHORING
2X BUCK MASONRY CONSTRUCTION

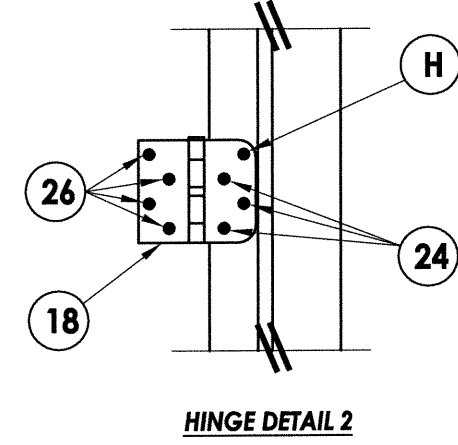
NO.	DATE	BY	REVISIONS
1	10/3/02/15	JK	UPDATE TO 5TH ED. (2014) FBC

DATE: 1/18/12
SCALE: N.T.S.
DWG. BY: JK
CHK. BY: LFS
DRAWING NO.: FL-15129.13
SHEET 5 OF 8

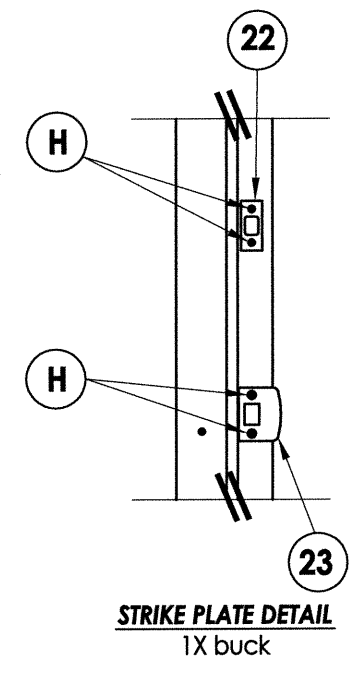
R:\Clients\Trinity PERMANENT\Florida Product Approvals\FL-15129\Drawings\Current\FL-15129.13-20.dwg, 6.13



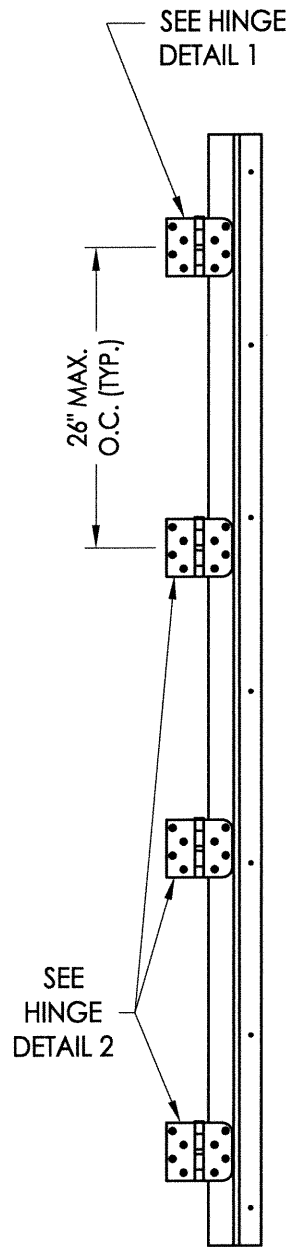
HINGE DETAIL 1



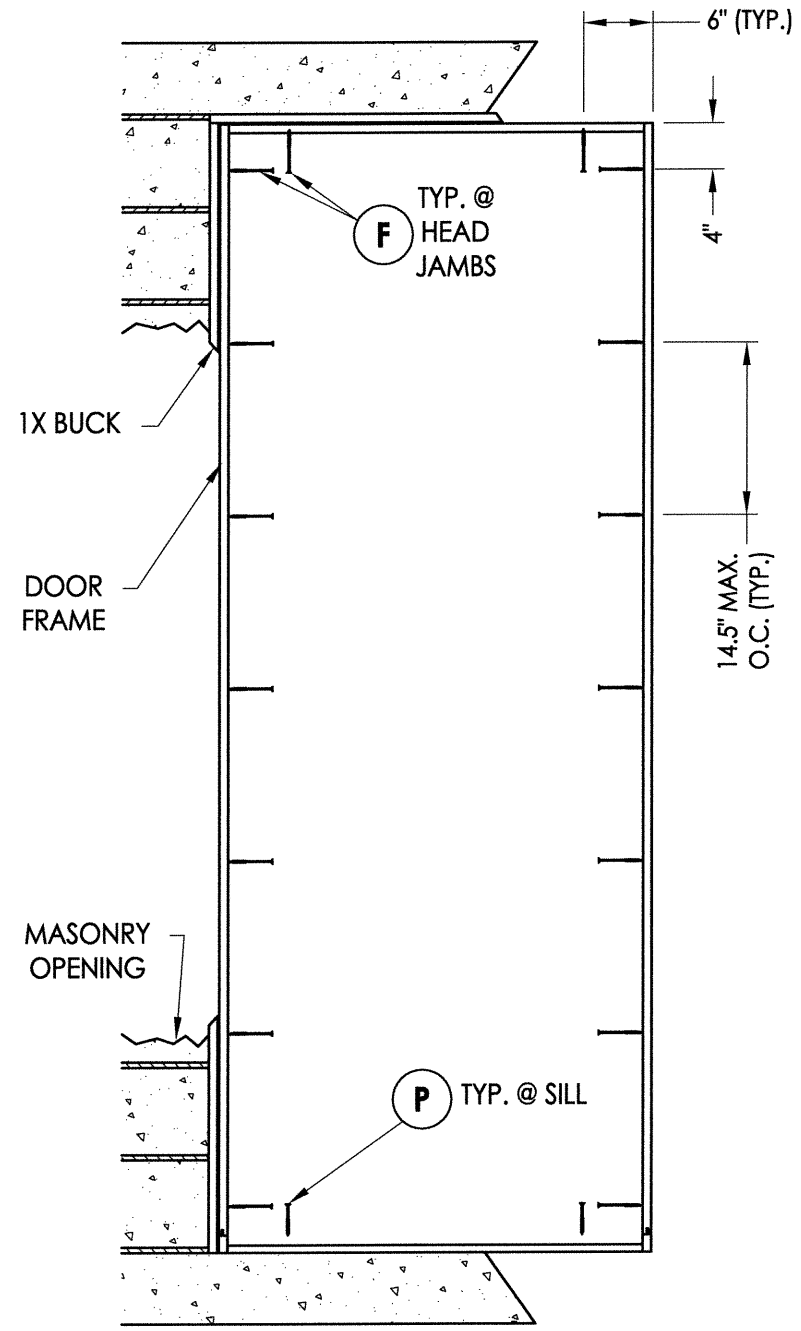
HINGE DETAIL 2



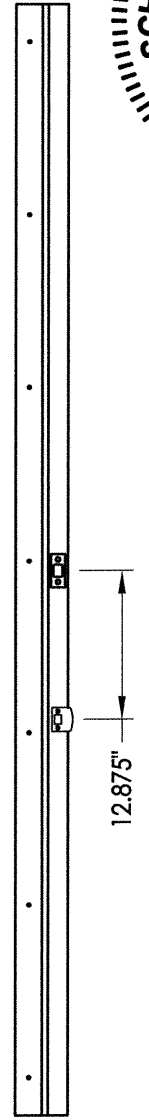
STRIKE PLATE DETAIL
1X buck



HINGE JAMB



FRAME ANCHORING
Masonry 1X buck construction



STRIKE JAMB

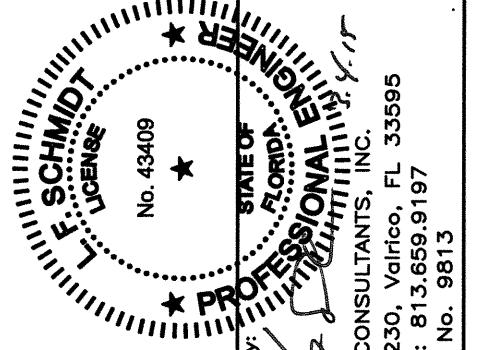
CONCRETE ANCHOR NOTES:

1. Concrete anchor locations at the corners may be adjusted to maintain the min. edge distance to mortar joints.
2. Concrete anchor locations noted as "MAX. ON CENTER" must be adjusted to maintain the min. edge distance to mortar joints, additional concrete anchors may be required to ensure the "MAX. ON CENTER" dimension are not exceeded.
3. Concrete anchor table:

ANCHOR TYPE	ANCHOR SIZE	MIN. EMBEDMENT	MIN. CLEARANCE TO MASONRY EDGE	MIN. CLEARANCE TO ADJACENT ANCHOR
ITW BUILDEX TAPCON®	3/16"	1-1/4"	3"	1-1/2"
	1/4"	1-1/4"	2"	4"
ELCO ULTRACON®	1/4"	1-1/4"	1"	4"

WOOD SCREW INSTALLATION NOTES:

1. Maintain a minimum 5/8" edge distance, 1" end distance, & 1" o.c. spacing of wood screws to prevent the splitting of wood.



Documents Prepared By:
Lyndon F. Schmidt
P.E. No. 43409

RW BUILDING CONSULTANTS, INC.
P.O. Box 230, Vairico, FL 33595
Phone No.: 813.659.9197
FBPE C.A. No. 9813

PRODUCT: TRINITY GLASS INT'L

PART OR ASSEMBLY:
FRAME ANCHORING
1X BUCK MASONRY CONSTRUCTION

NO.	DATE	BY	REVISIONS
1	03/02/15	JK	UPDATE TO 5TH ED. (2014) FBC

DATE: 1/18/12

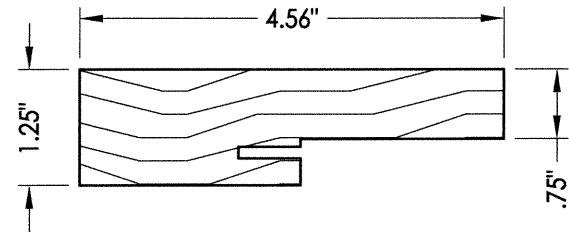
SCALE: N.T.S.

DWG. BY: JK

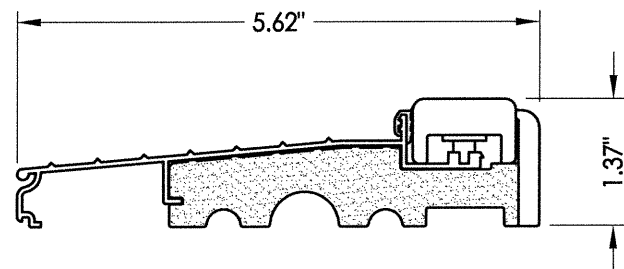
CHK. BY: LFS

DRAWING NO.: FL-15129.13

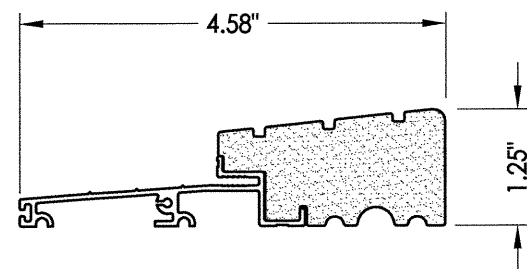
SHEET 6 OF 8



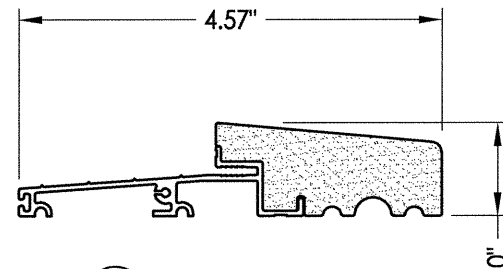
4 3 2 **SIDE & HEAD JAMBS**



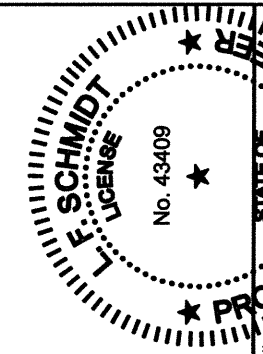
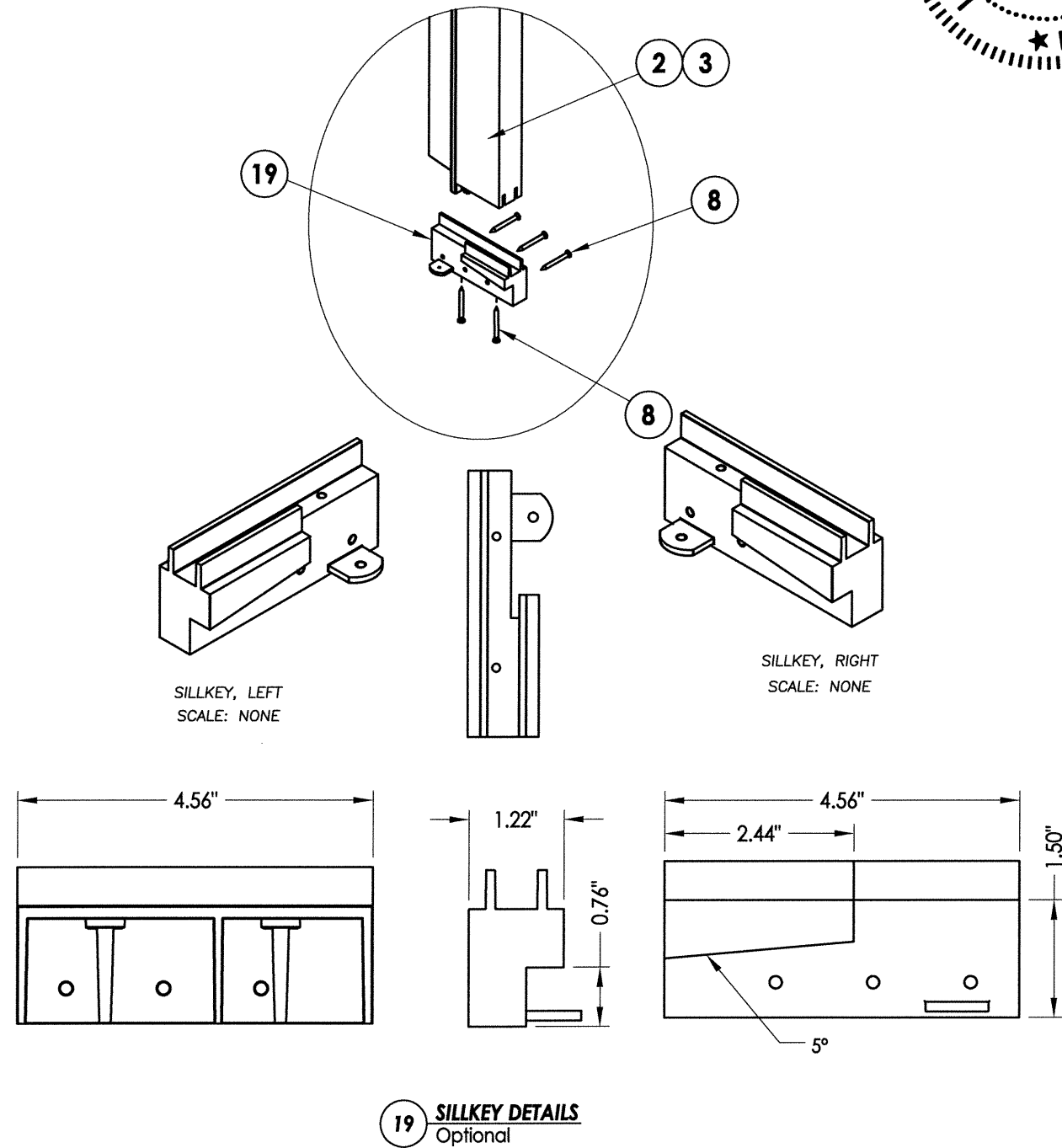
5 **INSWING THRESHOLD**



25 **OUTSWING THRESHOLD**
High-dam option



27 **OUTSWING THRESHOLD**



Documents Prepared By:
Lyndon F. Schmidt
P.E. No. 43409

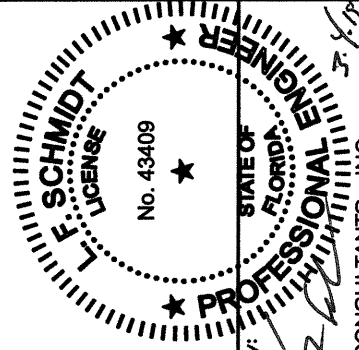
R.W.
BUILDING CONSULTANTS, INC.
P.O. Box 230, Valrico, FL 33595
Phone No.: 813.659.9197
FBPE C.A. No. 9813

PRODUCT: TRINITY GLASS INT'L
PART OR ASSEMBLY: COMPONENTS

NO.	DATE	BY	REVISIONS
1	03/02/15	JK	UPDATE TO 5TH ED. (2014) FBC

DATE: 1/18/12
SCALE: N.T.S.
DWG. BY: JK
CHK. BY: LFS
DRAWING NO.: FL-15129.13
SHEET 7 OF 8

BILL OF MATERIALS		
ITEM #	DESCRIPTION	MATERIAL
A	1X BUCK SG >= 0.55	WOOD
B	2X BUCK SG >= 0.55	WOOD
C	1/4" MAX. SHIM SPACE	-
D	1/4" X 2-3/4" PFH ELCO OR ITW CONCRETE SCREW	STEEL
E	MASONRY - 3,000 PSI MIN. CONCRETE CONFORMING TO ACI 301 OR HOLLOW BLOCK CONFORMING TO ASTM C90	CONCRETE
F	1/4" X 3-3/4" ITW PFH CONCRETE SCREW	STEEL
H	3/16" X 3-1/4" ITW PFH CONCRETE SCREW	STEEL
J	#9 X 2-1/4" PFH WS	STEEL
L	#8 X 2-1/2" PFH WS	STEEL
P	1/4" X 2-3/4" ITW PFH CONCRETE SCREW	STEEL
2	STRIKE JAMB - FINGER-JOINT PINE - SG >= 0.42	WOOD
3	HINGE JAMB - FINGER-JOINT PINE - SG >= 0.42	WOOD
4	HEAD - FINGER-JOINT PINE - SG >= 0.42	WOOD
5	INSWING THRESHOLD ALUMINUM W/ COMPOSITE SUBSTRATE	ALUMINUM
6	DOOR BOTTOM SWEEP	PVC
8	#6 X 1-1/4 PFH DRYWALL SCREW	STEEL
12	WEATHER STRIP QEBD650 Q-LON	-
18	3.983" X 4.0" HINGE MIN 0.098" THICK	STEEL
19	SILLKEY	PC/ASA
22	DEADBOLT STRIKE PLATE	STEEL
23	LATCH STRIKE PLATE	STEEL
24	#9 X 5/8" PFH WS	STEEL
25	OUTSWING HIGH-DAM THRESHOLD ALUMINUM W/ COMPOSITE SUBSTRATE	ALUM./ COMP.
26	#9 X 1.0" PFH WS	STEEL
27	OUTSWING THRESHOLD ALUMINUM W/ COMPOSITE SUBSTRATE	ALUM./ COMP.
40	DOOR PANEL - SEE DOOR PANEL DETAIL SHEET FOR CONSTRUCTION DETAILS	-
64	#8 X 2" PFH WOOD SCREW	STEEL



Documents Prepared By:
 Lyndon F. Schmidt
 P.E. No. 43409

R.W. BUILDING CONSULTANTS, INC.
 P.O. Box 230, Valrico, FL 33595
 Phone No.: 813.659.9197
 FBPE C.A. No. 9813

PRODUCT: TRINITY GLASS INT'L

PART OR ASSEMBLY: BILL OF MATERIALS

NO.	DATE	DESCRIPTION	BY
1	03/02/15	UPDATE TO 5TH ED. (2014) FBC	JK

REVISIONS

DATE: 1/18/12

SCALE: N.T.S.

DWG. BY: JK

CHK. BY: LFS

DRAWING NO.: FL-15129.13

SHEET 8 OF 8